



DC/DC20SD

v.1.0

DC/DC 2A Step down DC/DC converter with adjustable output voltage

EN**

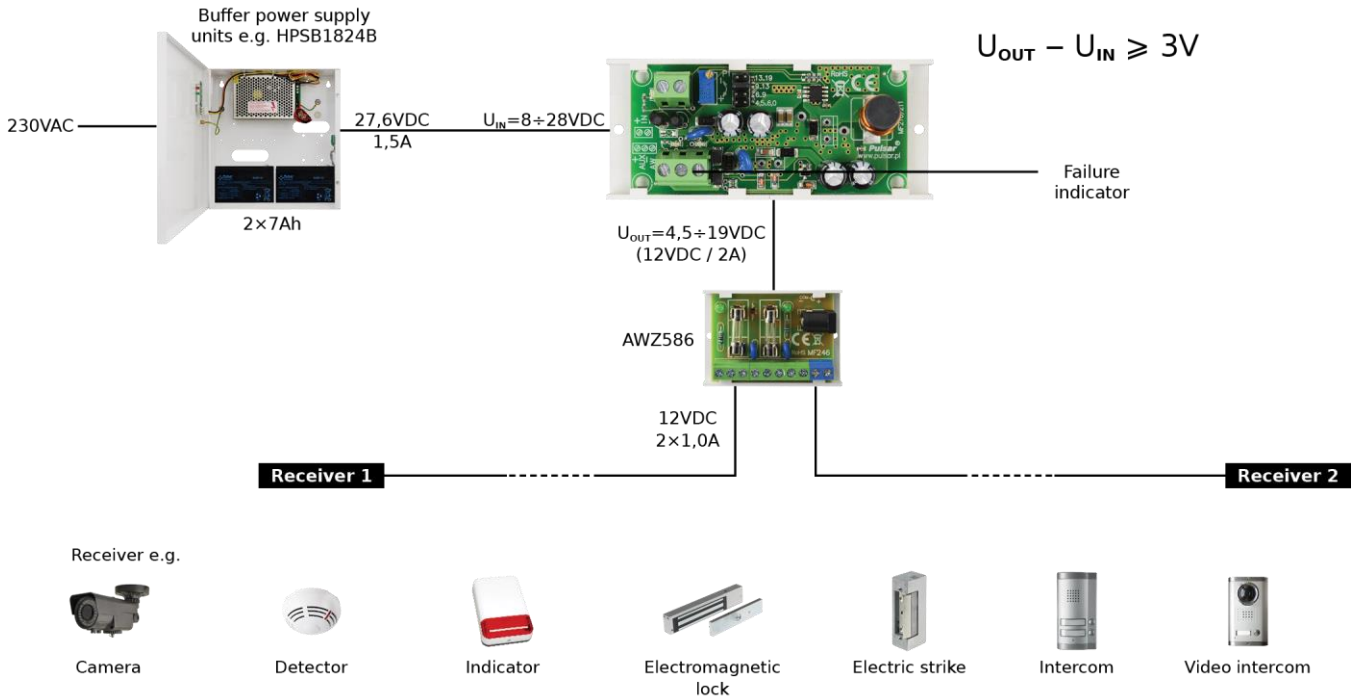


Edition: 4 from 12.10.2017
 Supercedes the edition: 3 from 11.02.2016

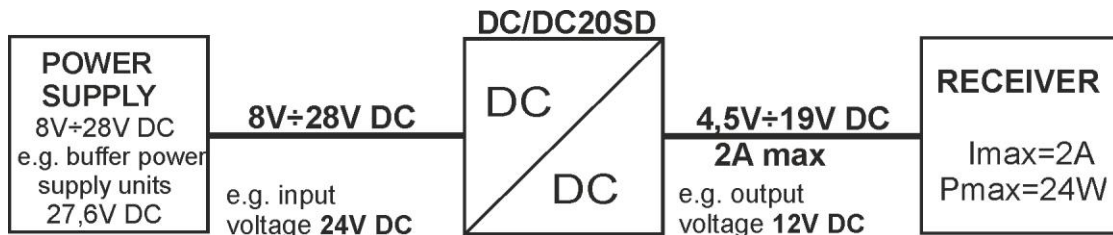
The module's features:

- Step down DC/DC converter with adjustable output voltage
- Example of use: step down from 24V to 12V DC
- The input voltage range: 8÷28V DC
- The output voltage range: 4,5÷19V DC
- The minimum difference between input (lowered) and output voltage: 3V
- The maximum load current 2A (24W)
- The PSU technical output indicating converter failure triggered by:
 - Short-circuit of the output
 - Output overload
- Protections:
 - Short-circuit protection SCP
 - Overload protection OLP
 - OHP overheating protection
- High efficiency: 80÷90%
- Optical LED indication
- Warranty – 2 years from the production date
- Mounting:
 - Mounting strip with adhesive tape
 - Mounting screws

Example of use of the DC/DC20SD step down DC/DC converter with adjustable output voltage.



Schematic diagram of the converter operation.



Adjustment of the converter output voltage: 4,5V÷19V DC, 2A max.

1. Technical description

The step down converter **DC/DC 2A (DC/DC20SD)** is used for step down the input voltage from the range between 8V÷28V DC to the voltage range of 4,5V÷24V DC at the output, adjusted with the **P1** potentiometer. The maximum load current is **I_{max}=2A (P_{max}=24W)**. The 3V difference between the input (lowered) and output voltage is required for the proper operation of the converter. The module does not feature galvanic isolation between input/output (IN-AUX) and operates on common "ground" (0V) potential (IN- and AUX- terminals are galvanically connected = common terminal).

1.1. Block diagram (Fig.1).

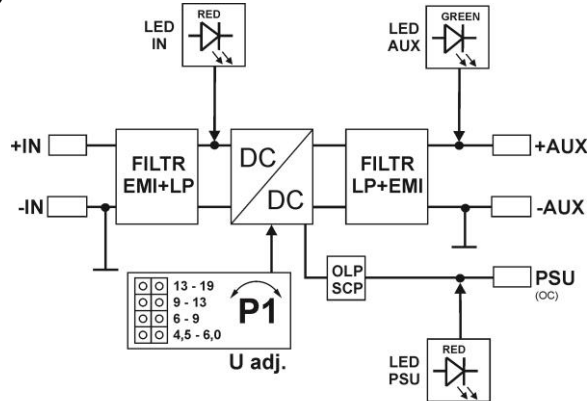


Fig.1. Block diagram of the converter's module.

1.2. Description of components and connectors (Fig. 2, Table 1, Table 2).

Table 1.

No. [fig.2]	Component's description
[1]	IN LED light - red
[2]	Power connector of the DC/DC module
[3]	P1 voltage adjustment (4,5÷19V)
[4]	Jumper – voltage adjustment
[5]	AUX LED light – green
[6]	The DC/DC module's connector (power supply and PSU)
[7]	PSU LED light – red
[8]	Mounting strip

Table 2.

[2], [6]	Description of module's connectors
+IN - IN	DC supply input (8V÷28V DC, power consumption from the power source)
+AUX - AUX	DC supply output (+AUX= +U, -AUX=GND)
AW	Technical output of failure: OLP/SCP activation (short-circuit or overload protection) Failure status: hi-Z (high impedance), normal status: L (0V, GND)

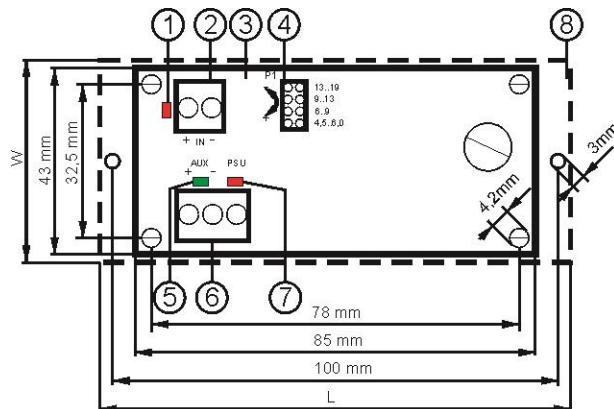


Fig.2. The converter module's view.

1.3. Technical parameters:

- Electrical parameters (Table 3)
- Mechanical parameters (Table 4)

Table 3.

The input voltage range (power supply)	8V±28V DC depending on the range set by the jumper
The output voltage range	4,5V±6V, 6V±9V, 9V±13V, 13V±19V Jumper adjustable. Factory setting: 12V.
The minimum difference between the input and output voltage	3V
P module power	24W max. (see fig.3)
Energy efficiency	80%÷ 90% for full range of power and loads
Ripple voltage	20mV p-p...50mV p-p
Output current	2.0A max. (See fig.3)
Current consumption by module systems	10 mA max.
Short-circuit protection SCP and overload protection OLP	180% - 200% of module power - output power limit, automatic return after elimination of short circuit
Technical outputs - PSU output indicating failure	- OC type, 50mA max. Failure status: hi-Z state (high impedance), normal status: L level (0V)
Optical indication - IN LED indicating DC power status - AUX LED indicating DC supply status at the output - PSU LED indicating failure	- red, normal status: is lit continuously - green, normal status: is lit continuously - red, normal status: does not lit, failure: is lit continuously
Operating conditions	II environmental class, -10°C ÷40°C, ensure air flow around the unit for convection cooling
Declarations, Warranties	CE, 2 years from the production date

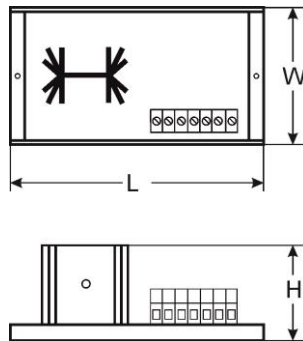


Table 4.

Dimensions	L=100, W=43, H=27 [+/- 2mm]
Mounting	tape or mounting screw x 2
Terminals	Φ0,41÷1,63 (AWG 26-14)
Net/gross weight	0,05/0,08 kg

2. Installation.

2.1. Requirements.

The DC/DC converter is to be mounted by a qualified installer, holding relevant permits and licenses (applicable and required for a given country) for step down installations. The module should be mounted in confined spaces with normal relative humidity (RH=90% maximum, no condensation) and temperature range from -10°C up to +40°C. The module should operate in vertical position in order to provide free and convective air flow.

The module's load balance should be done prior to installation. During normal operation, the total current of the receivers should not exceed **I=2A** while the power drawn from the module should not exceed **Pmax=24W**, as shown in the Fig. 3.

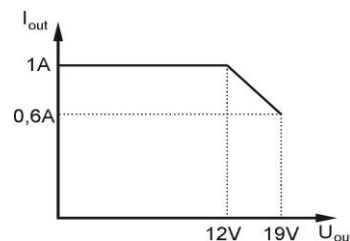


Fig.3. The maximum output current depending on the output voltage.

Proper operation of the module requires adequate current capacity of the power source; the power supply capacity should be calculated using the formula below:

$$P_{IN} = 1,15 \times P_{AUX}$$

$$(P_{IN} = 1,15 \times I_{AUX} \times U_{AUX})$$

Example:

The converter will supply the receivers with a capacity of **P_{AUX} = 24W** drawing a total current of **I_{AUX} = 2A** at the voltage **U_{AUX} = 24V**. The minimum power supply capacity must therefore amount to: **P_{IN} = 1,15 x 2A x 12V = 27,6W**.

The device should be mounted in a metal enclosure (cabinet). The rules for power supply, enclosures and shielding - according to application - must be observed in order to meet the requirements of LVD and EMC directives.

2.2. Installation procedure.

1. Mount the enclosure (cabinet, etc.) and lead cables through cable glands.
2. Mount the DC/DC converter with adhesive tape or mounting screws.
3. Supply DC voltage to the + IN, -IN terminals with correct polarization. The supply voltage should be selected according to the table and depending on the output voltage:

DC input voltage	DC output voltage
8÷28V	4,5÷6V
12÷28V	4,5÷9V
16÷28V	4,5÷13V
22÷28V	4,5÷19V

4. Switch on the DC voltage.
5. Use the jumper to set the required voltage range and adjust the required output voltage with the P1 potentiometer. Default setting: 12V.
6. Switch off the DC voltage.
7. Connect the receivers' cables to the +AUX, -AUX connectors of the terminal block on the module's board.
8. Connect the device cables (alarm control panel, indicator, LED light, etc.) to the PSU technical output if necessary.
9. Switch on the DC voltage (the red IN LED should be permanently illuminated, the AUX green LED should be permanently illuminated).
10. Once the tests and operation control are performed, close the enclosure, cabinet, etc.

3. Converter 's module operation indication.

3.1. Technical output.

The converter is equipped with three diodes indicating operation status: IN, AUX, and PSU.

- **IN- red LED:** during normal status (DC power supply) it is lit continuously. No DC supply is indicated by switching off the IN LED.
- **AUX- green LED:** indicates DC supply status at the module's output. During normal status, it is lit continuously, in case of short circuit or overload the AUX led is off.
- **PSU- red LED:** indicates module's overload. During normal status, it is off, in case of short circuit or overload the LED lights continuously.

3.2. Technical output.

The converter is fitted with one technical output indicating failure of the DC / DC module.

- **PSU - OLP/SCP (overload/short-circuit) output:** - OC type output indicating overload/short-circuit of the module's output.

During normal operation, the output is shorted to the AUX - (0V). In case of failure, the module disconnects the output and it is in the hi-Z (high impedance) state during failure.

4. Maintenance and operation.

4.1. Converter overload.

The module construction is based on the modern DC/DC converter system (step-down). It features a complete short-circuit (SCP), overload (OLP) and overheat (OHP) protection. In case of a fault or an overload of the AUX output, an automatic isolation of output voltage occurs that is indicated by the PSU LED and the PSU output. After a fault or an overload is eliminated, voltage at the AUX output recovers automatically (the module does not require reset).

5. Maintenance.

All maintenance procedures can be performed after disconnecting the converter from the power network. The converter does not require any specific maintenance; however, its interior should be cleaned with compressed air if used in dusty conditions.



WEEE LABEL

Waste electrical and electronic equipment must not be disposed of with normal household waste. According to the European Union WEEE Directive, waste electrical and electronic equipment should be disposed of separately from normal household waste.

Pulsar sp. j.

Siedlec 150, 32-744 Łapczyca, Poland
Tel. (+48) 14-610-19-40, Fax. (+48) 14-610-19-50
e-mail: biuro@pulsar.pl, sales@pulsar.pl
http:// www.pulsar.pl, www.zasilacze.pl